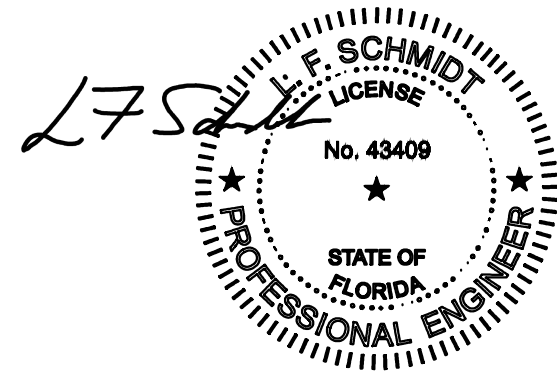




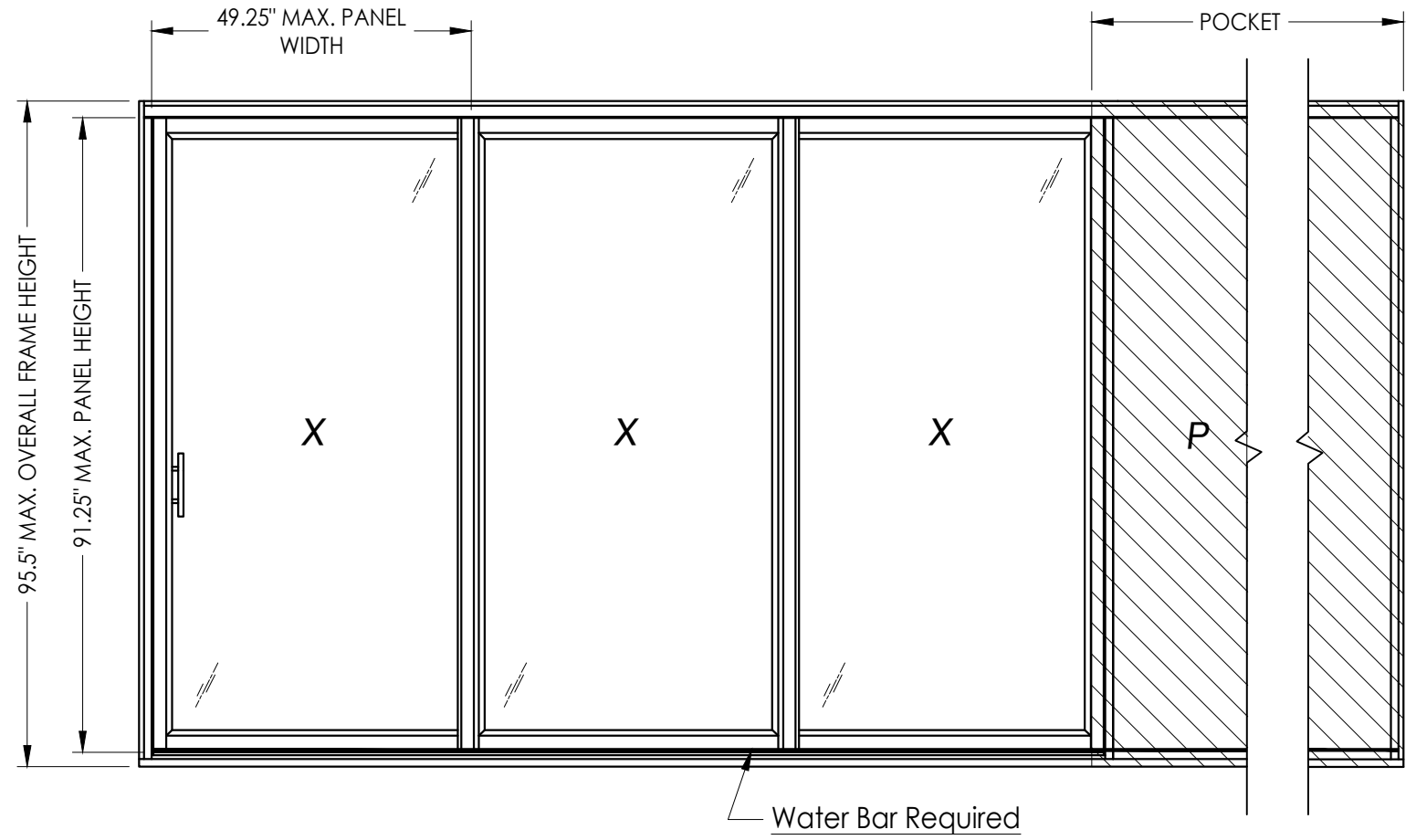
250 Staunton Turnpike, Parkersburg, WV 26104



This item has been digitally signed and sealed by L. F. Schmidt, P.E. on the date adjacent to the seal. Printed copies of this document are not considered signed and sealed and the signature must be verified on any electronic copies.

THIS PRODUCT APPROVAL IS VALID ONLY FOR THE STATE OF FLORIDA

# 8400 Series Vinyl Sliding Patio Pocket Door - XXXP "NON-IMPACT"



**GENERAL NOTES**

1. This product has been evaluated and is in compliance with the 8th Edition (2023) Florida Building Code (FBC) structural requirements excluding the "High Velocity Hurricane Zone" (HVHZ).
2. Product anchors shall be as listed and spaced as shown on details. Anchor embedment to base material shall be beyond wall dressing or stucco.
3. When used in areas requiring wind borne debris protection this product is required to be protected with an impact resistant covering that complies with FBC Sections 1609.1.2 & R301.2.1.2.
4. For 2x stud framing construction, anchoring of these units shall be the same as that shown for 2x buck masonry construction.
5. Site conditions that deviate from the details of this drawing require further engineering analysis by a licensed engineer or registered architect.

**TABLE OF CONTENTS**

SHEET #	DESCRIPTION
1	Typical elevation, design pressures & general notes
2	Horizontal cross sections
3	Vertical cross sections
4	Buck & frame anchoring
5	Components
6	Bill of materials & glazing detail

MAX. PANEL DIMENSION	MAX. D.L.O. DIMENSION	GLASS TYPE	DESIGN PRESSURE (PSF)	
			POSITIVE	NEGATIVE
49.25" X 91.25"	42.375" X 85.0"	G1	+50.0	-50.0

Documents Prepared By: Lyndon F. Schmidt P.E. No. 43409  
 BUILDING CONSULTANTS, INC.  
 P.O. Box 230, Vairico, FL 33595  
 Phone No.: 813.659.9197  
 .FBPE Registry No. 9813

PRODUCT: 8400 SERIES VINYL SLIDING PATIO DOORS  
 PART OR ASSEMBLY: TYPICAL ELEVATION, DESIGN PRESSURES & GENERAL NOTES

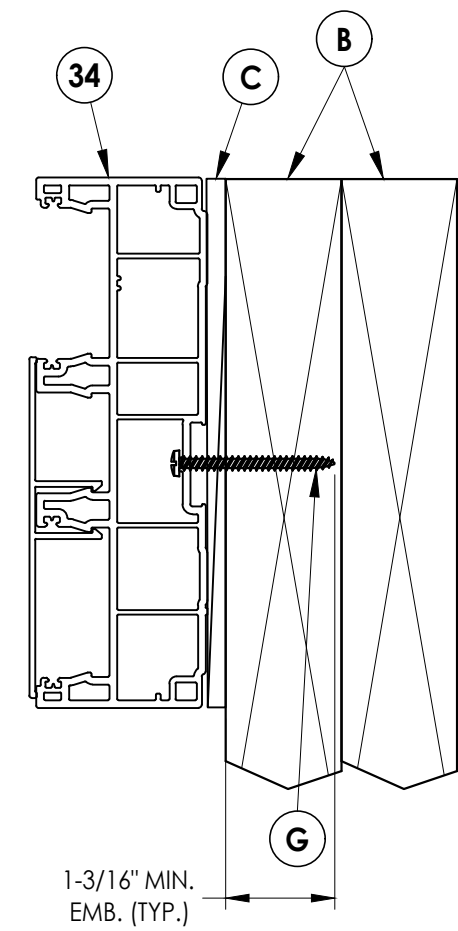
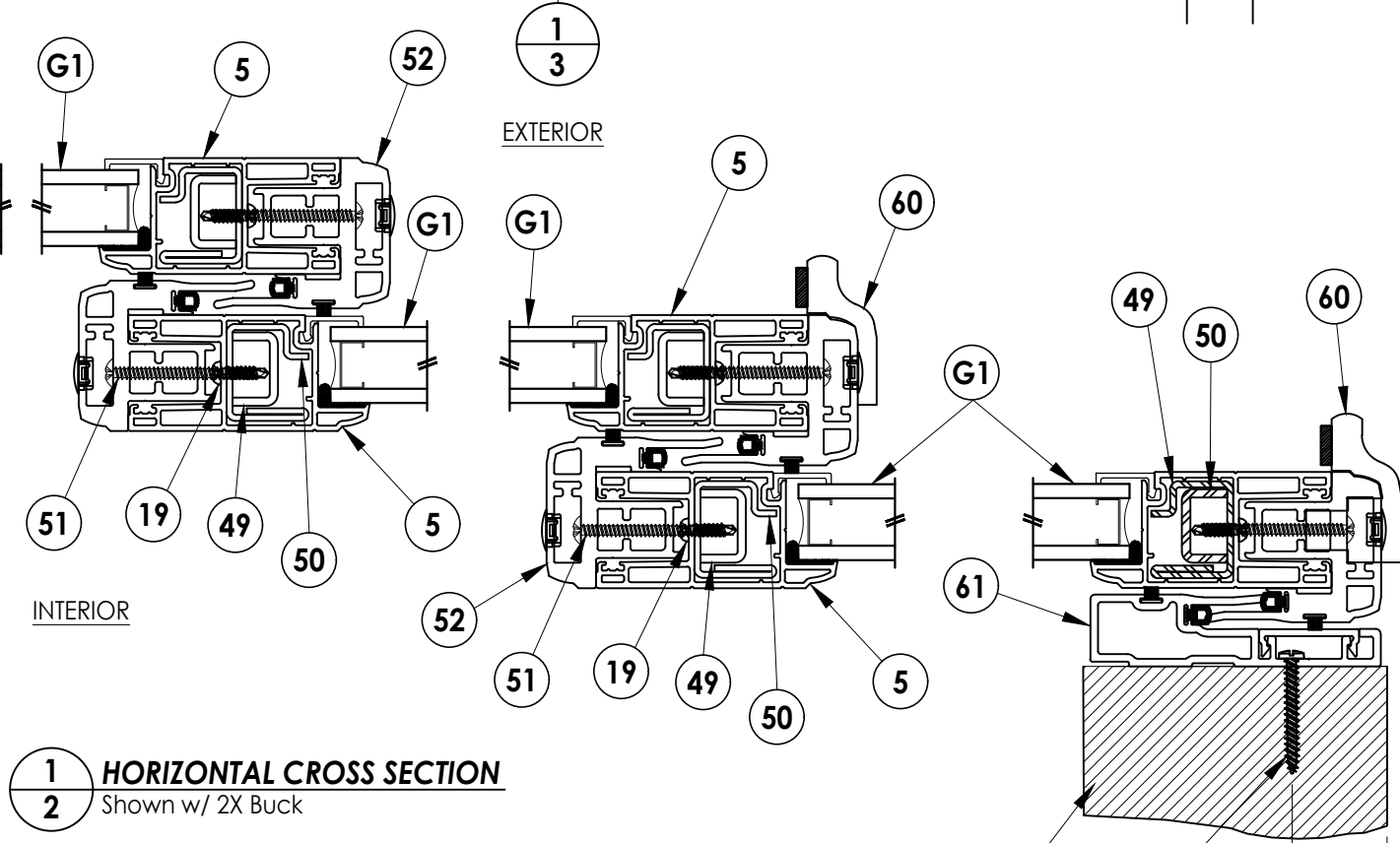
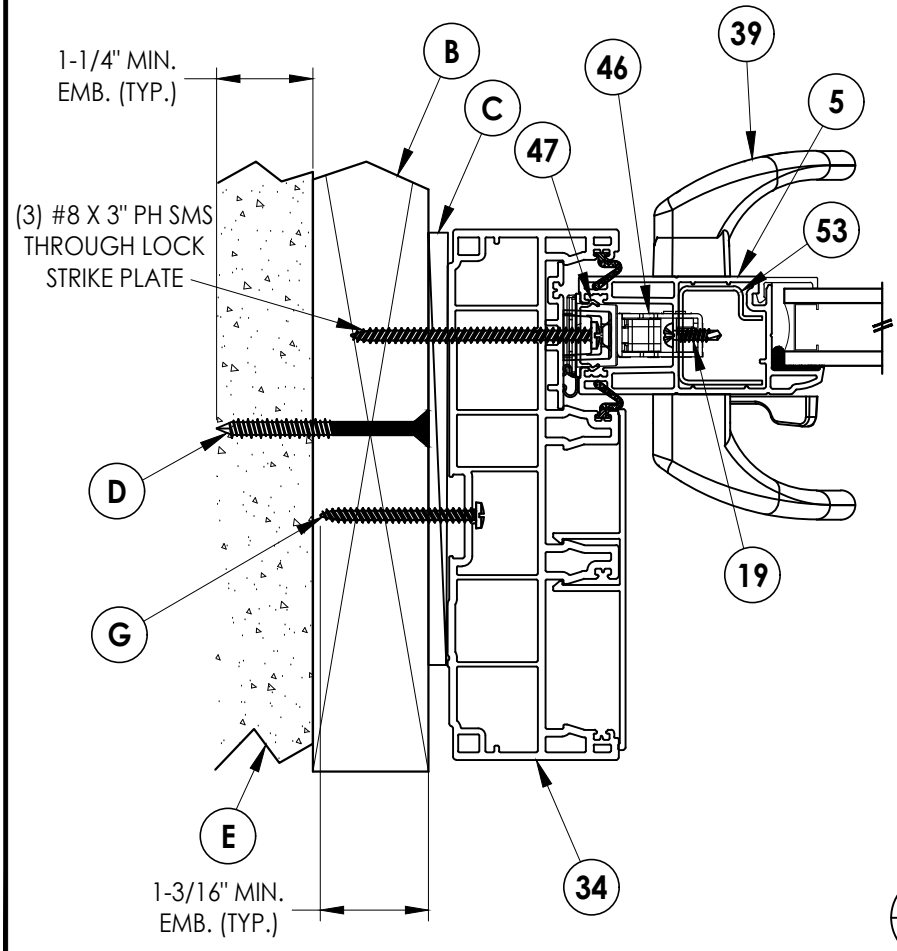
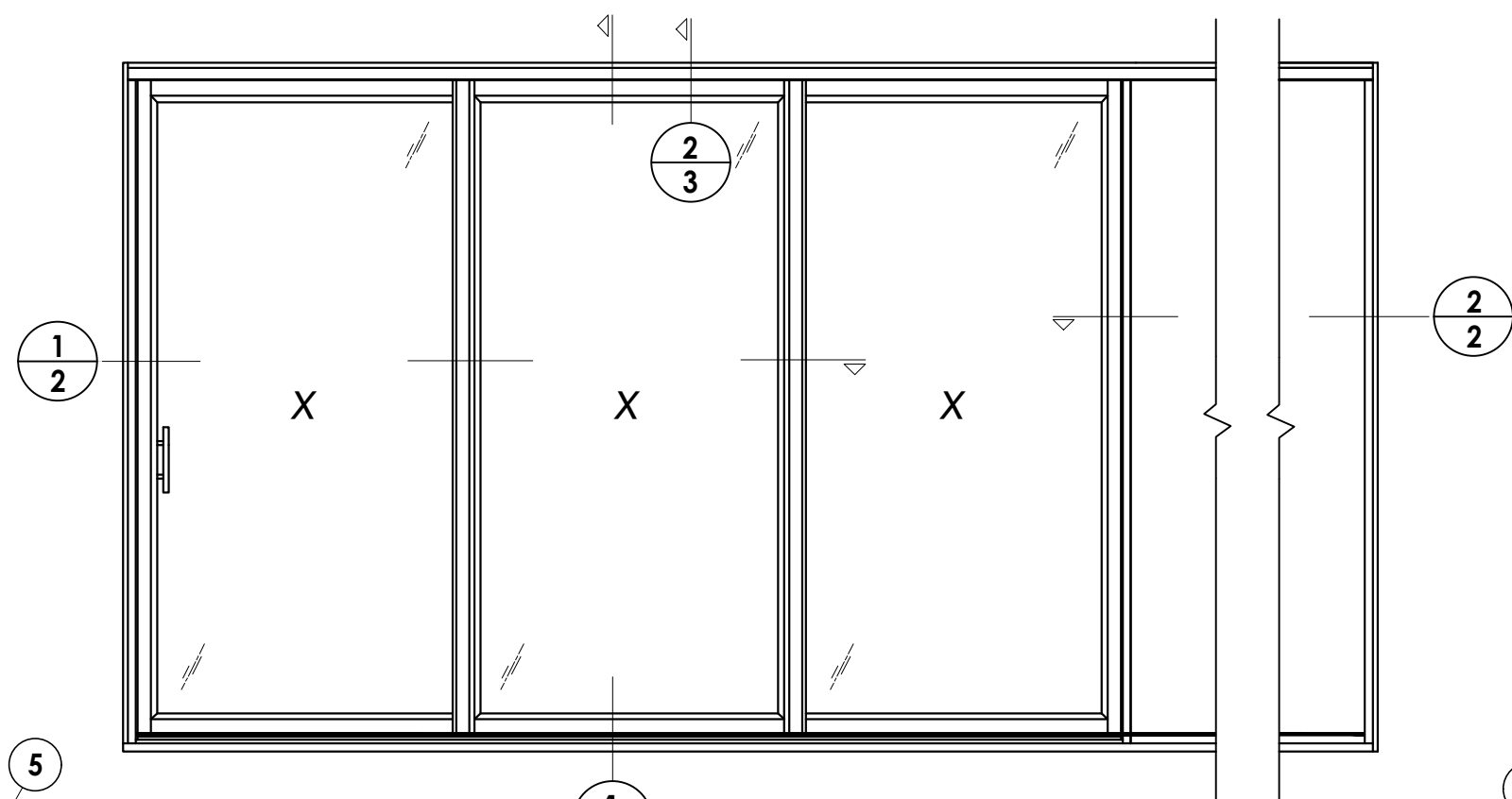
NO.	DATE	BY	REVISIONS

DATE: 10/16/23  
 SCALE: N.T.S.  
 DWG. BY: LFS  
 CHK. BY: RW  
 DRAWING NO.: FL-16216.19  
 SHEET 1 OF 6

© 2023 R.W. BUILDING CONSULTANTS INC.

Z:\2023 FBC Drawings\Wincore Window Company\FL-16216 R14\FL-16216.19.dwg

Z:\2023 FBC Drawings\Wincore Window Company\FL-16216 R14\FL-16216.19.dwg



**1** HORIZONTAL CROSS SECTION  
**2** Shown w/ 2X Buck

**2** HORIZONTAL CROSS SECTION  
**2** Shown w/ 2X Stud Framing

Documents Prepared By:  
 Lyndon F. Schmidt  
 P.E. No. 43409

**RW** BUILDING CONSULTANTS, INC.  
 P.O. Box 230, Valrico, FL 33595  
 Phone No.: 813.659.9197  
 FBPE Registry No. 9813

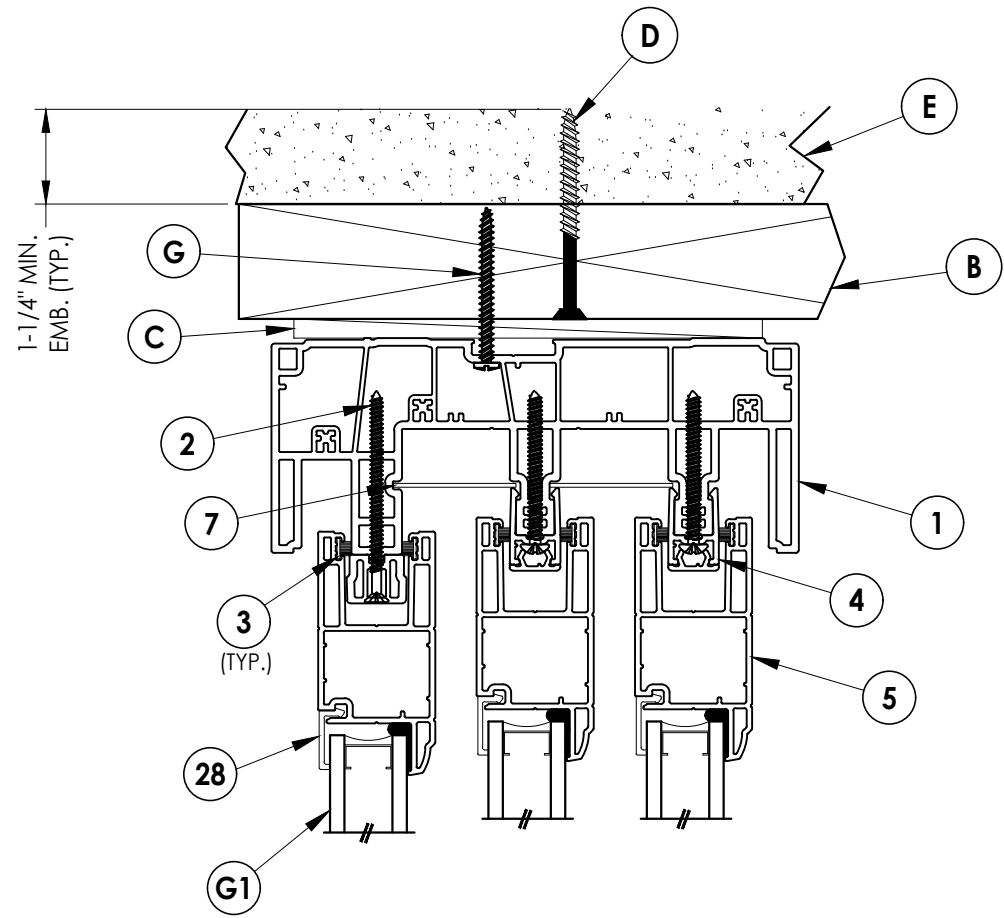
PRODUCT:  
 8400 SERIES VINYL  
 SLIDING PATIO DOORS

PART OR ASSEMBLY:  
 HORIZONTAL  
 CROSS SECTIONS

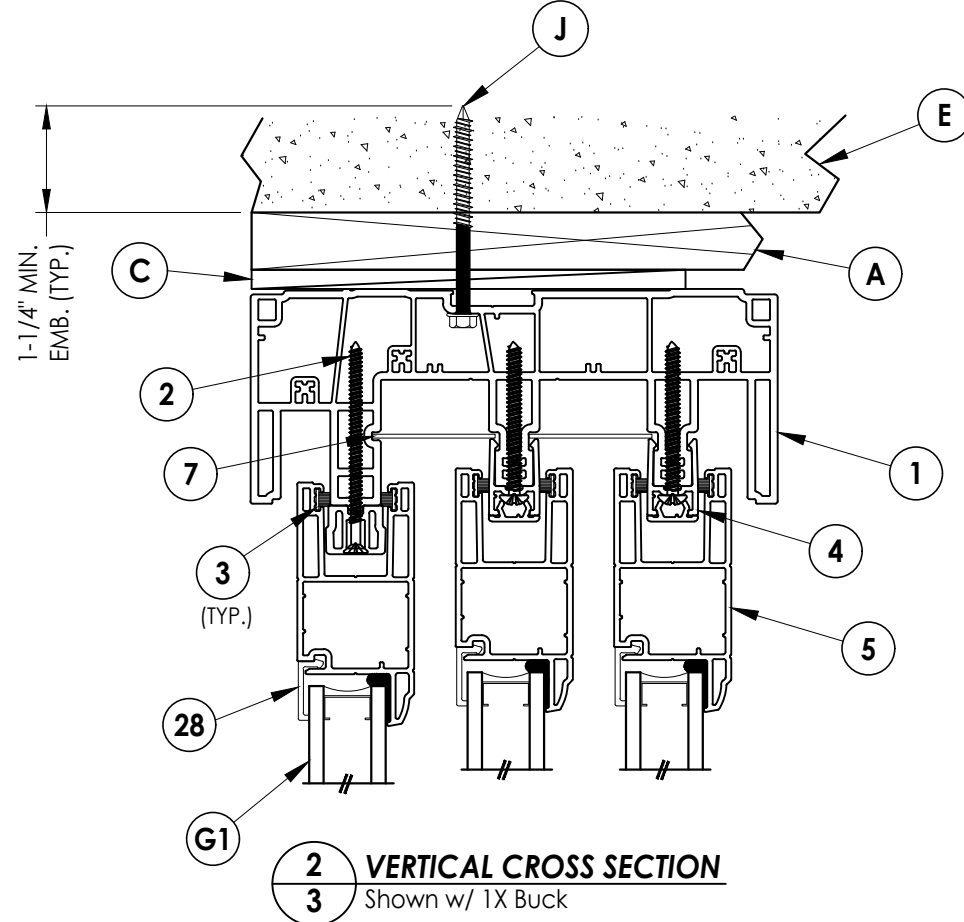
NO.	DATE	BY

DATE: 10/16/23  
 SCALE: N.T.S.  
 DWG. BY: LFS  
 CHK. BY: RW  
 DRAWING NO.: FL-16216.19  
 SHEET 2 OF 6

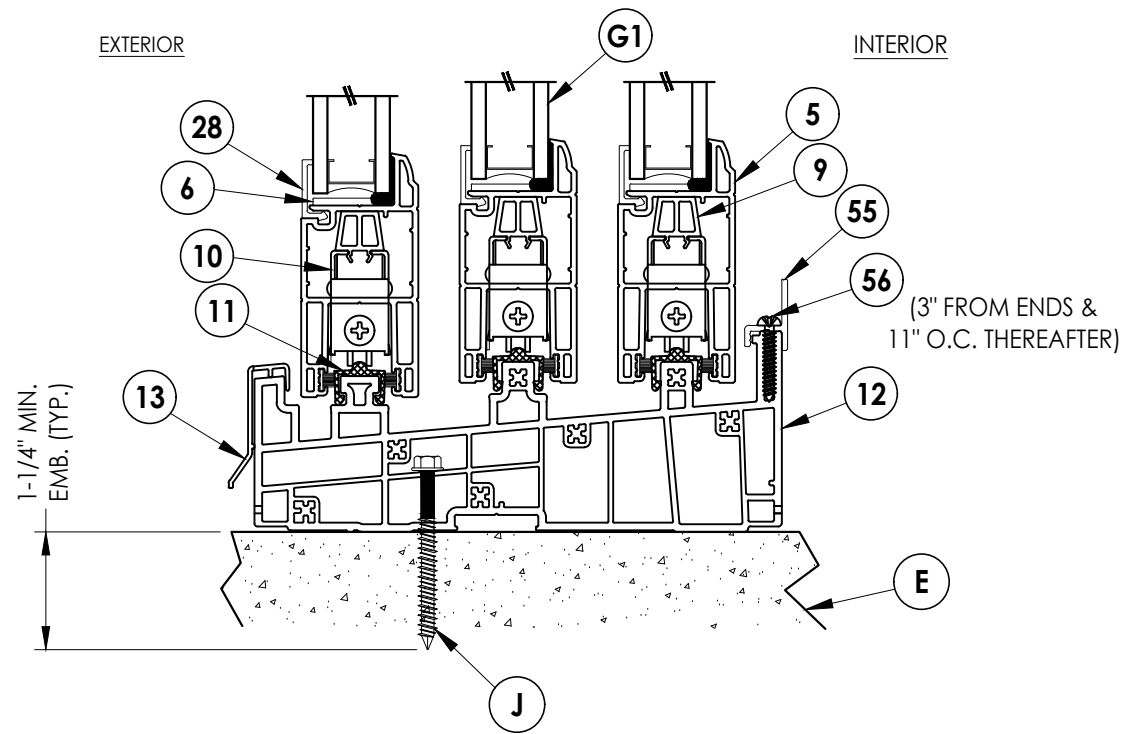
© 2023 R.W. BUILDING CONSULTANTS INC.



**1 VERTICAL CROSS SECTION**  
**3** Shown w/ 2X Buck & Head & Direct to Masonry @ Sill



**2 VERTICAL CROSS SECTION**  
**3** Shown w/ 1X Buck



**1 VERTICAL CROSS SECTION**  
**3** Shown w/ 2X Buck & Head & Direct to Masonry @ Sill

Documents Prepared By:  
 Lyndon F. Schmidt  
 P.E. No. 43409

**RW** BUILDING CONSULTANTS, INC.  
 P.O. Box 230, Valrico, FL 33595  
 Phone No.: 813.659.9197  
 FBPE Registry No. 9813

PRODUCT:  
 8400 SERIES VINYL  
 SLIDING PATIO DOORS

PART OR ASSEMBLY:  
 VERTICAL  
 CROSS SECTIONS

NO.	DATE	BY

DATE: 10/16/23

SCALE: N.T.S.

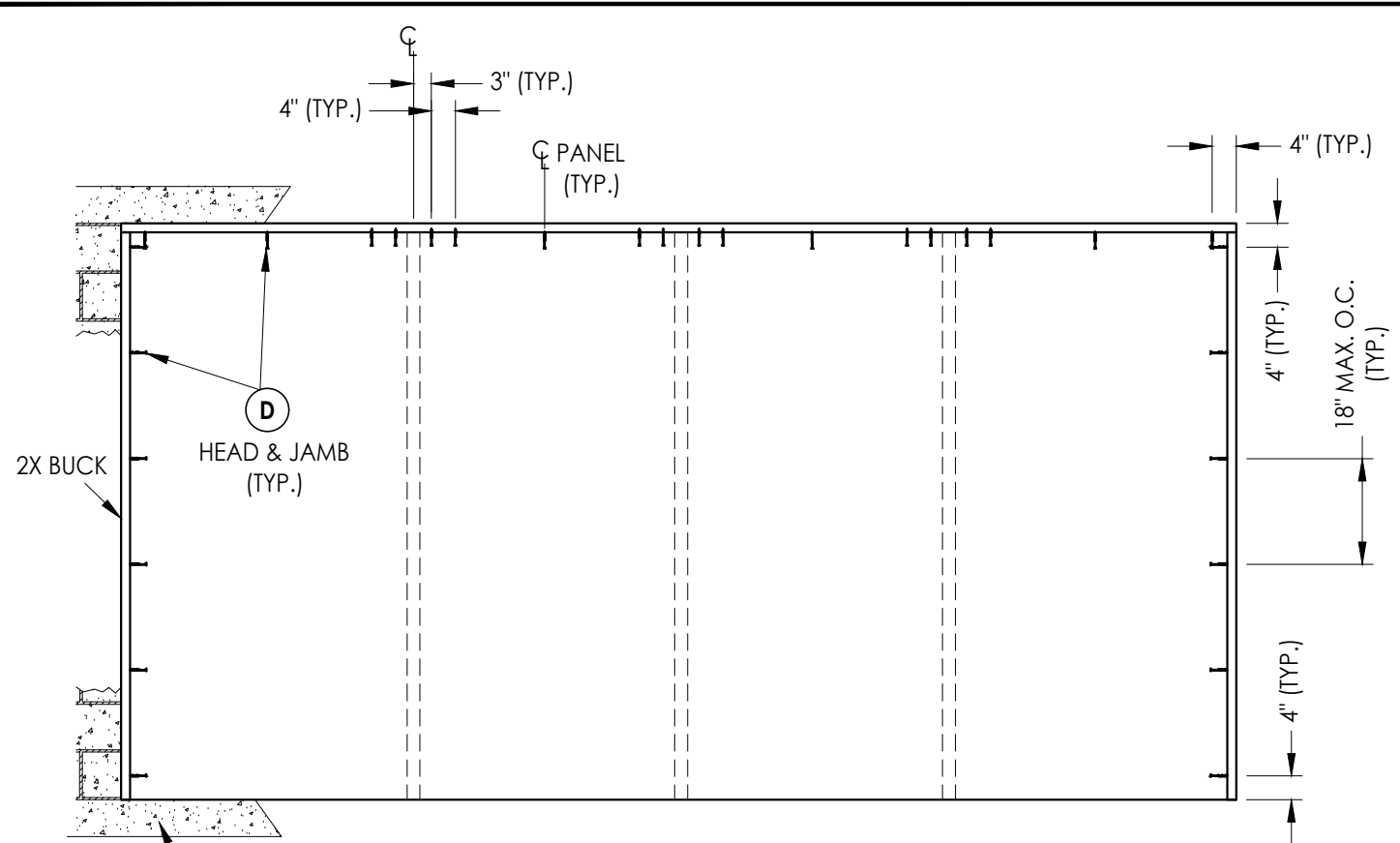
DWG. BY: LFS

CHK. BY: RW

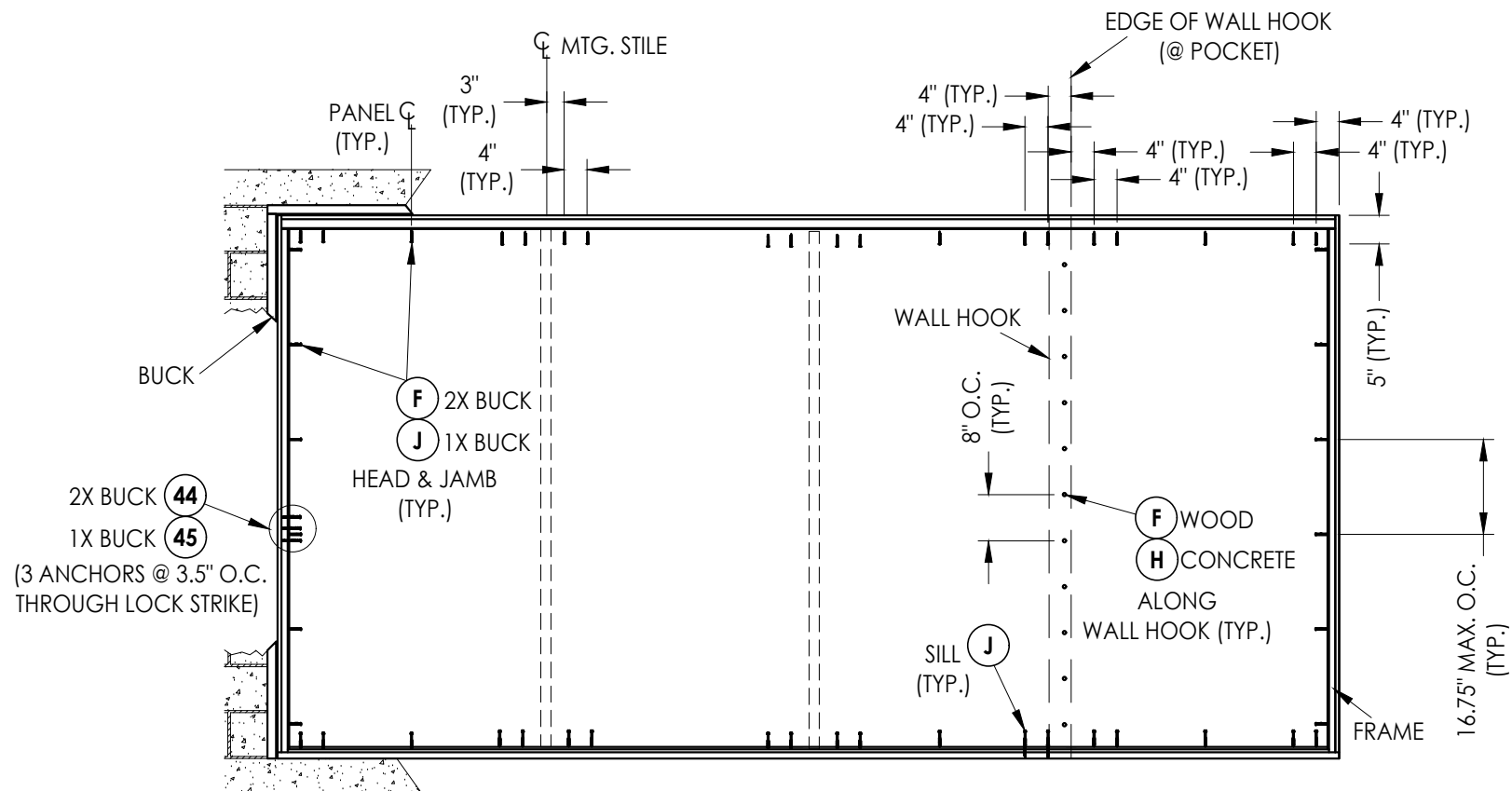
DRAWING NO.:

FL-16216.19

SHEET 3 OF 6



**2X BUCK ANCHORING  
MASONRY**



**FRAME ANCHORING  
2X/1X Buck**

**CONCRETE ANCHOR NOTES:**

1. Concrete anchor locations at the corners may be adjusted to maintain the min. edge distance to mortar joints.
2. Concrete anchor locations noted as "MAX. ON CENTER" must be adjusted to maintain the min. edge distance to mortar joints, additional concrete anchors may be required to ensure the "MAX. ON CENTER" dimension are not exceeded.
3. Concrete anchor table:

ANCHOR TYPE	ANCHOR SIZE	MIN. EMBEDMENT	MIN. CLEARANCE TO MASONRY EDGE	MIN. CLEARANCE TO ADJACENT ANCHOR
ITW TAPCON®	1/4"	1-1/4"	2"	4"
DeWALT ULTRACON+®	3/16"	1-1/4"	2-1/2"	1-1/8"
	1/4"	1-1/4"	1"	4"

**WOOD SCREW INSTALLATION NOTES:**

1. Maintain a minimum 5/8" edge distance, 1" end distance, & 1" o.c. spacing of wood screws to prevent the splitting of wood.

Documents Prepared By:  
Lyndon F. Schmidt  
P.E. No. 43409

**RW** BUILDING CONSULTANTS, INC.  
P.O. Box 230, Vairico, FL 33595  
Phone No.: 813.659.9197  
FBPE Registry No. 9813

PRODUCT: 8400 SERIES VINYL SLIDING PATIO DOORS

PART OR ASSEMBLY:  
BUCK & FRAME ANCHORING

NO.	DATE	BY	REVISIONS

DATE: 10/16/23

SCALE: N.T.S.

DWG. BY: LFS

CHK. BY: RW

DRAWING NO.:  
FL-16216.19

SHEET 4 OF 6



